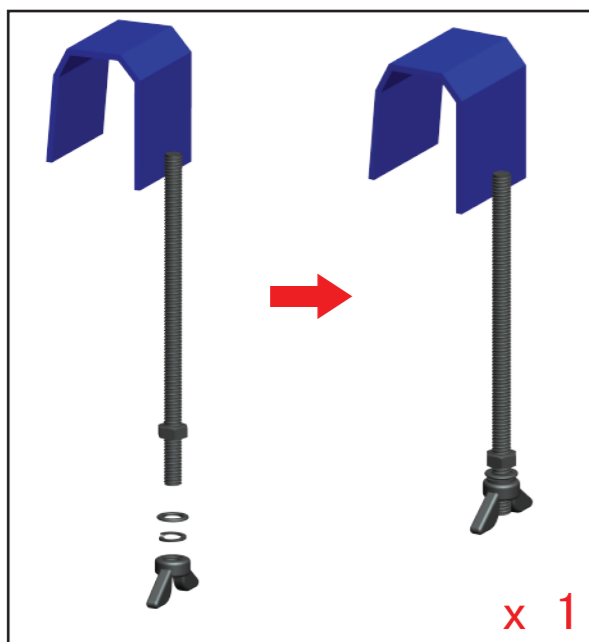


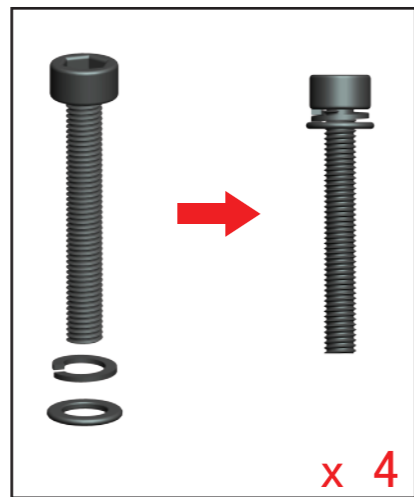
Roll-on hitch rack

Assembly

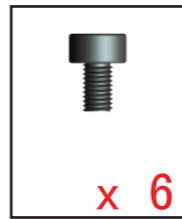




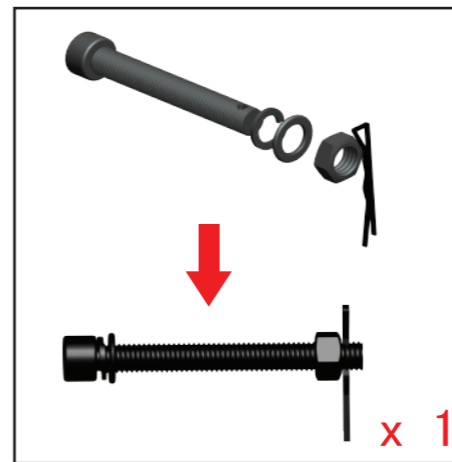
1



2



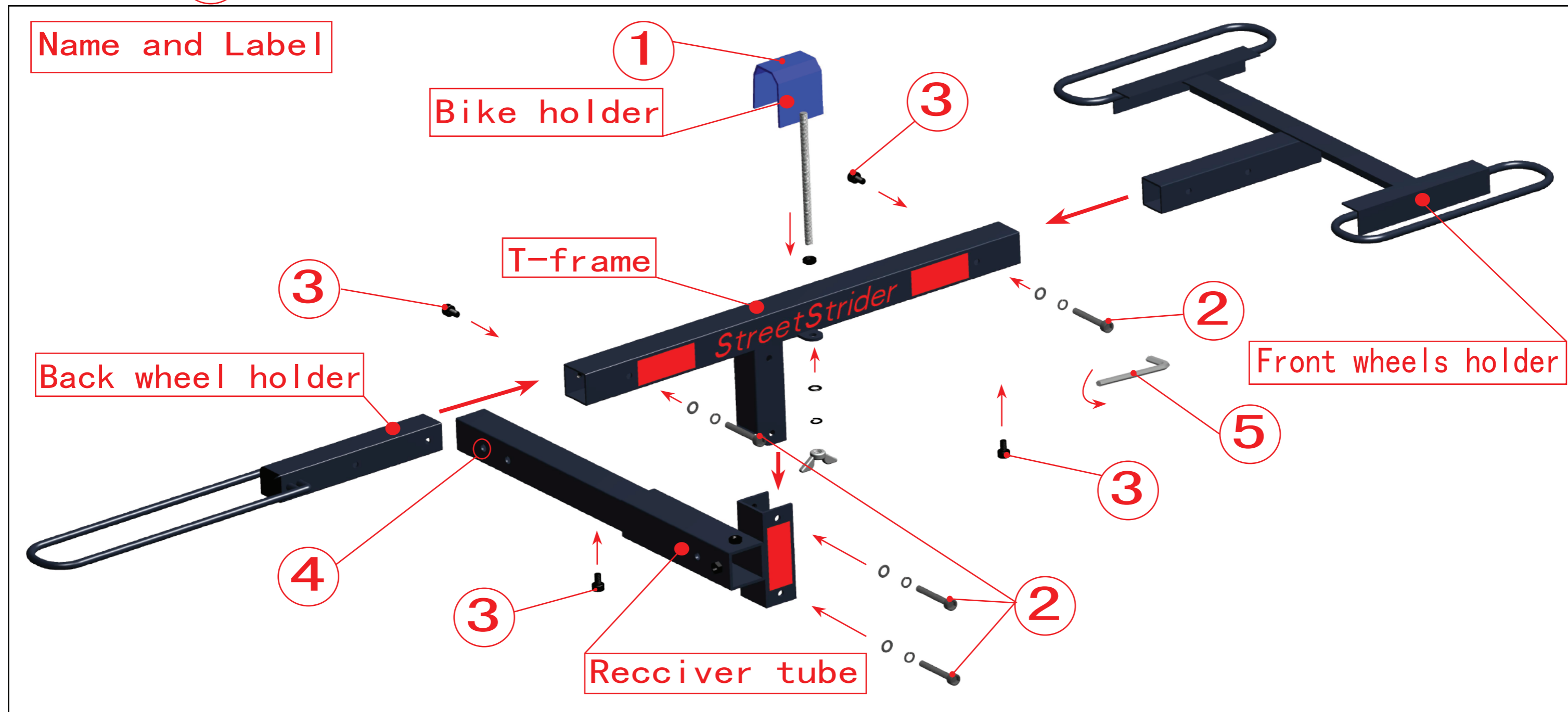
3

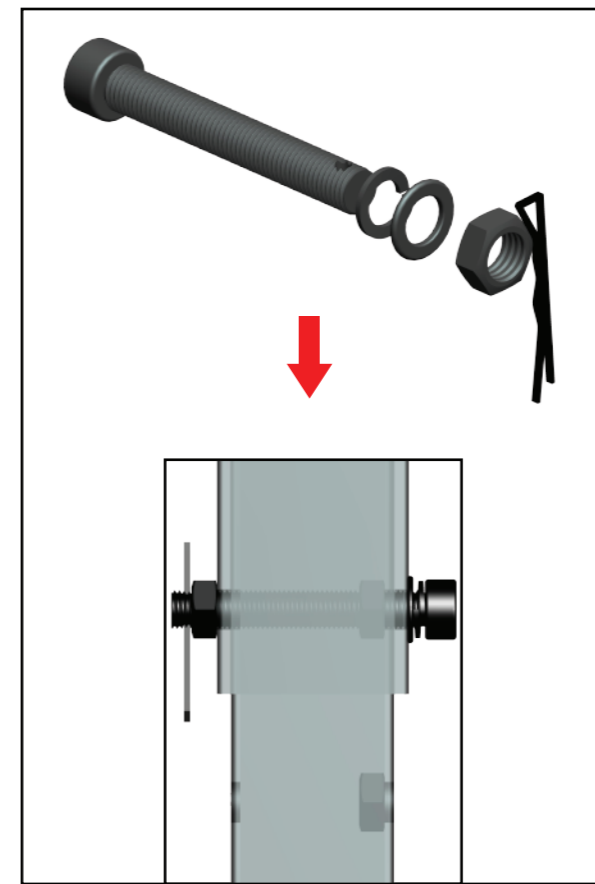
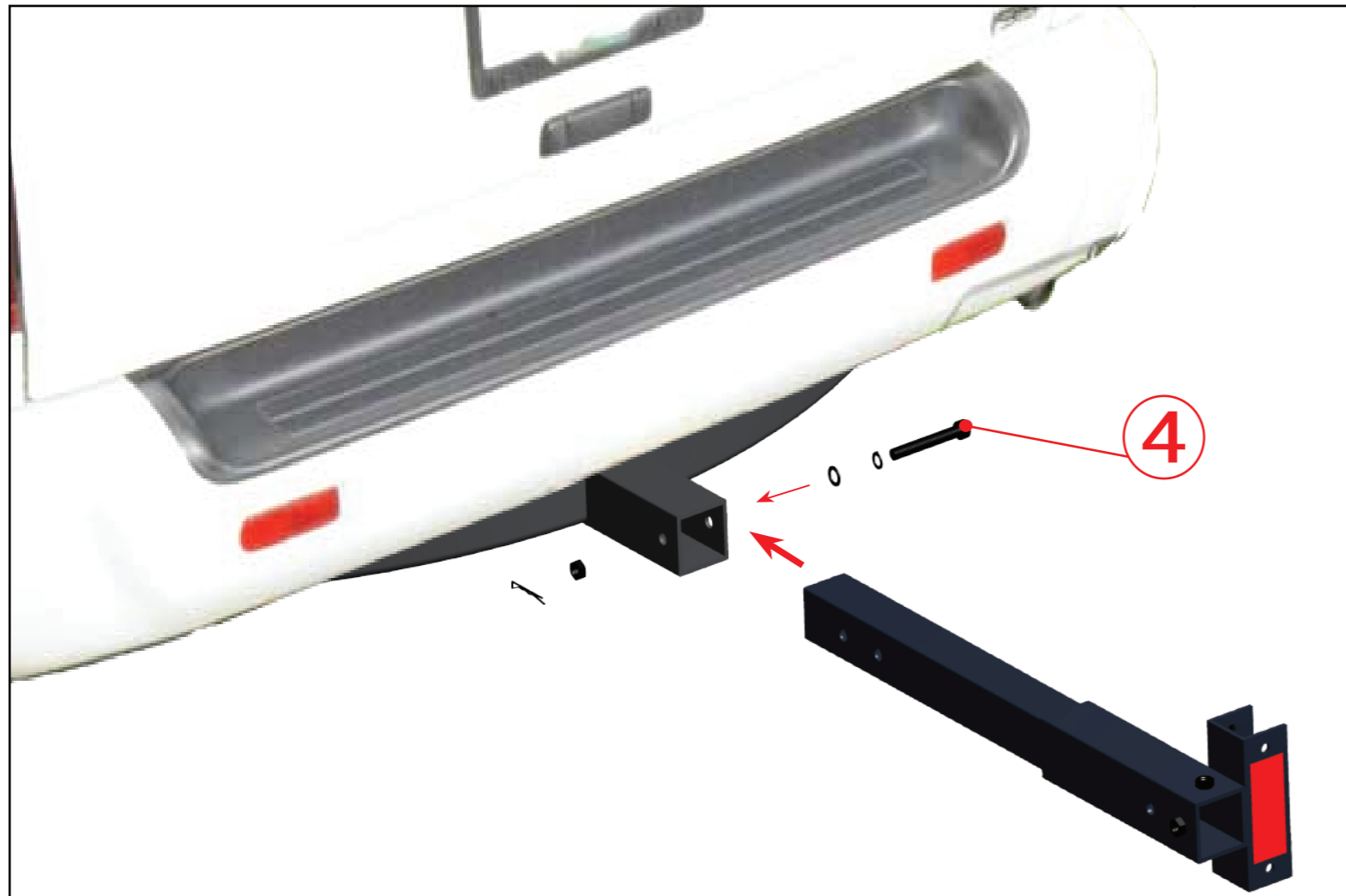


4



5

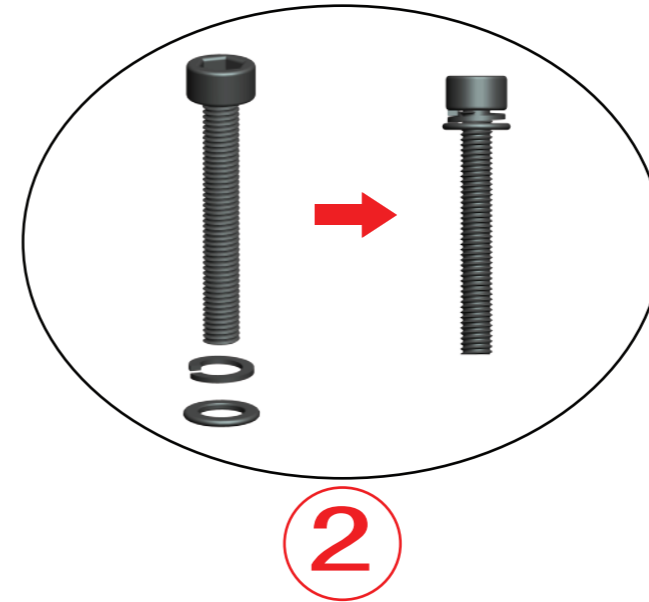
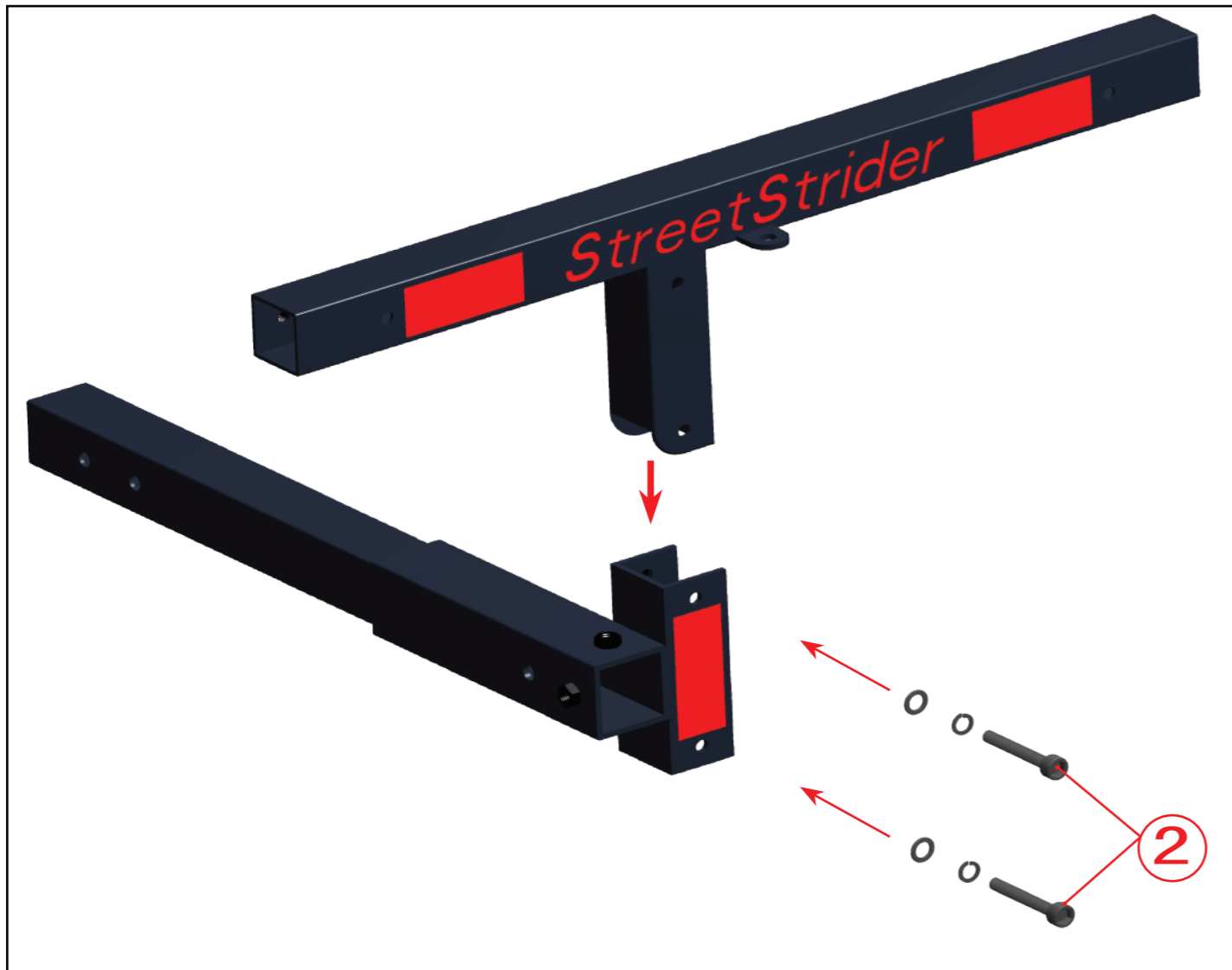




4

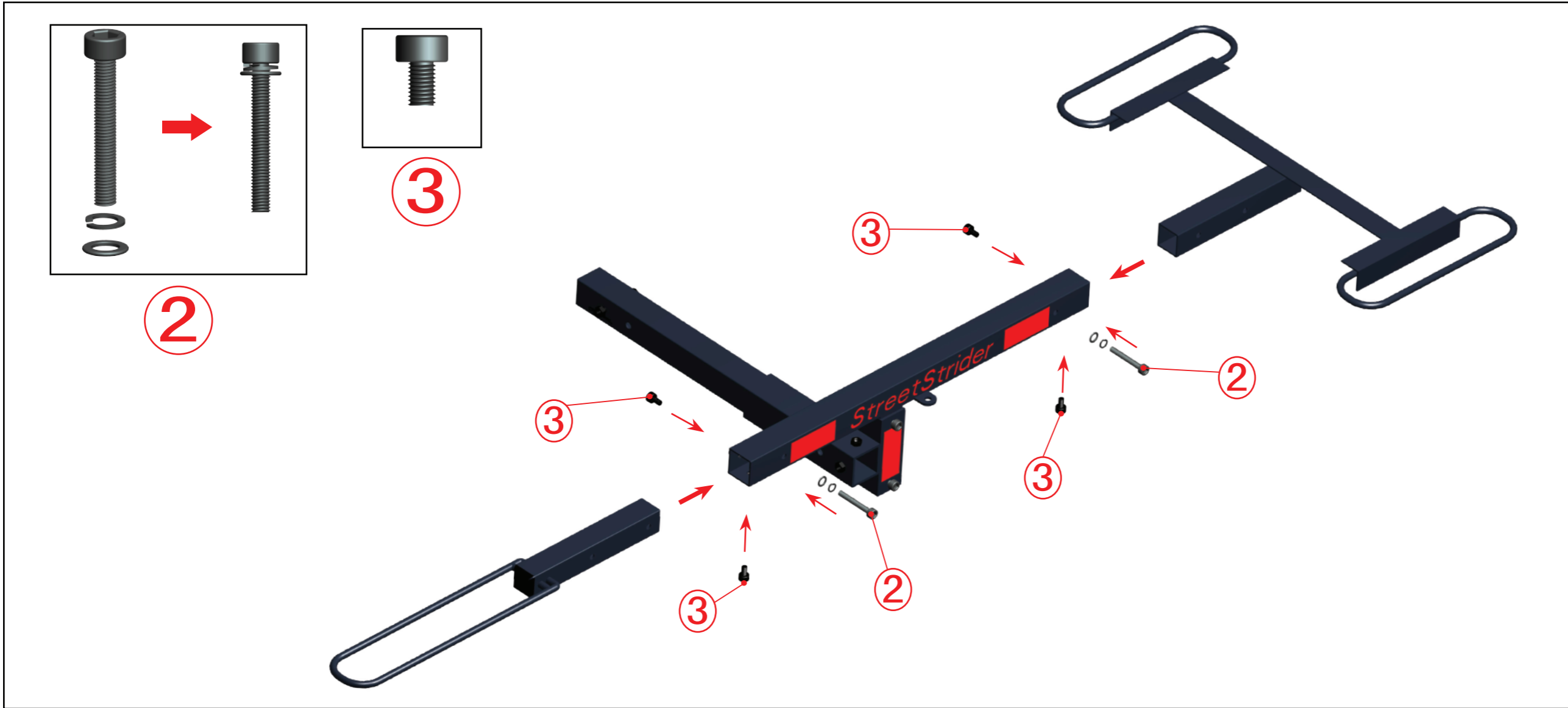
1. Insert receiver tube into trailer hitch.
2. Screw bolt ④ into both the trailer hitch and receiver tube.
3. Insert pin into bolt ④ after step 2 has been finished.





1. Place T-frame on top of receiver tube.
2. Place split lock washer and flat washer onto bolt.
3. Screw bolt ② into both the receiver tube and T-frame.





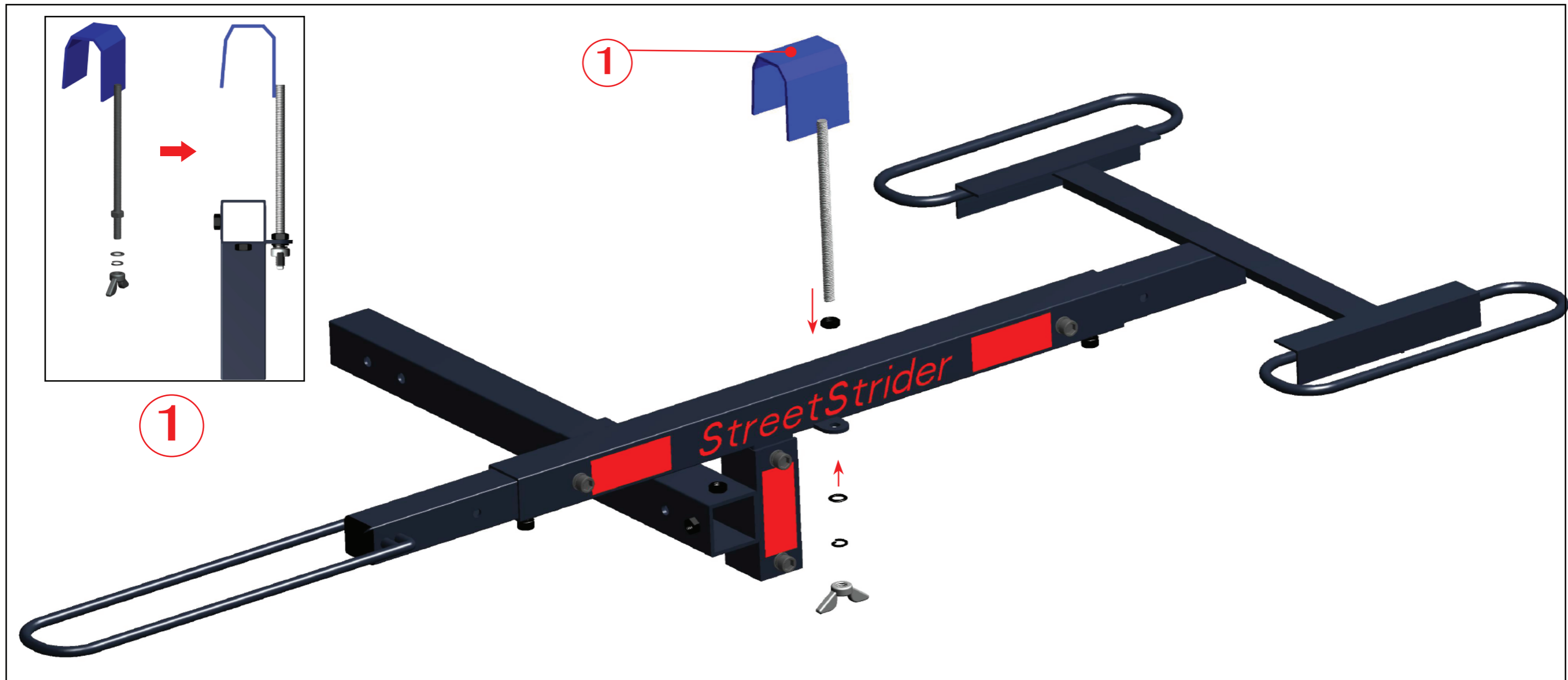
Front wheels holder

1. Insert front wheels holder into T-frame.
2. Place split lock washer and flat washer onto bolt ② .
3. Screw bolt ② into both the front wheels holder and T-frame.
4. Screw bolt ③ into the side and bottom nut holes of T-frame to lock them.

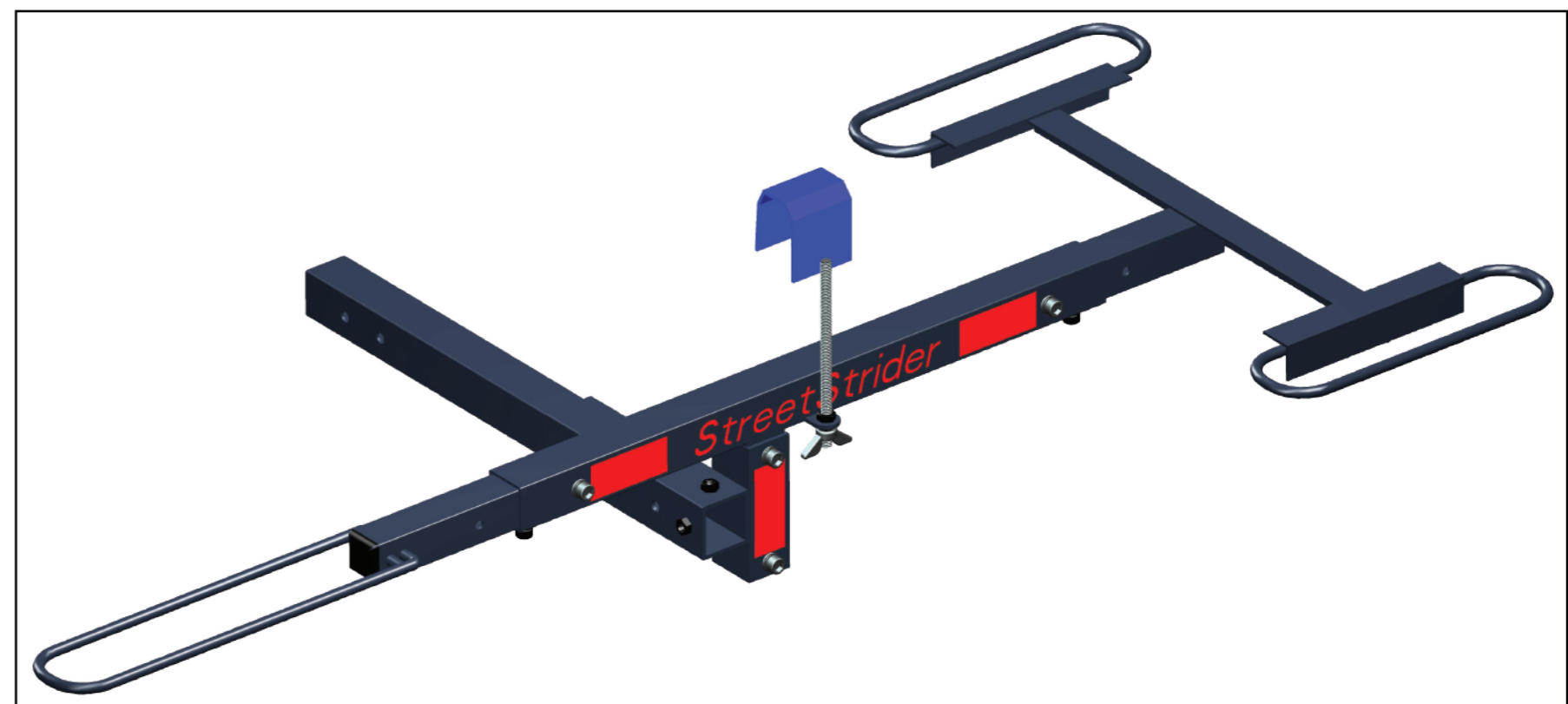
Back wheel holder

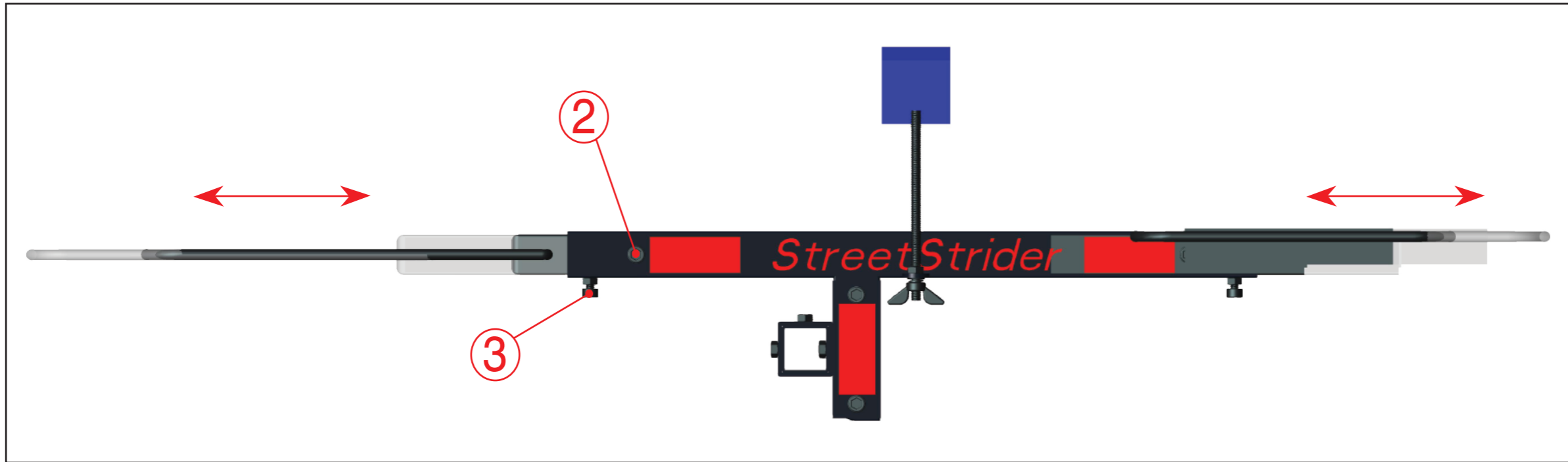
1. Insert back wheel holder into T-frame.
2. Place split lock washer and flat washer onto bolt ②.
3. Screw bolt ② into both the T-frame and back wheel holder.
4. Screw bolt ③ into the side and bottom nut holes of T-frame to lock them.



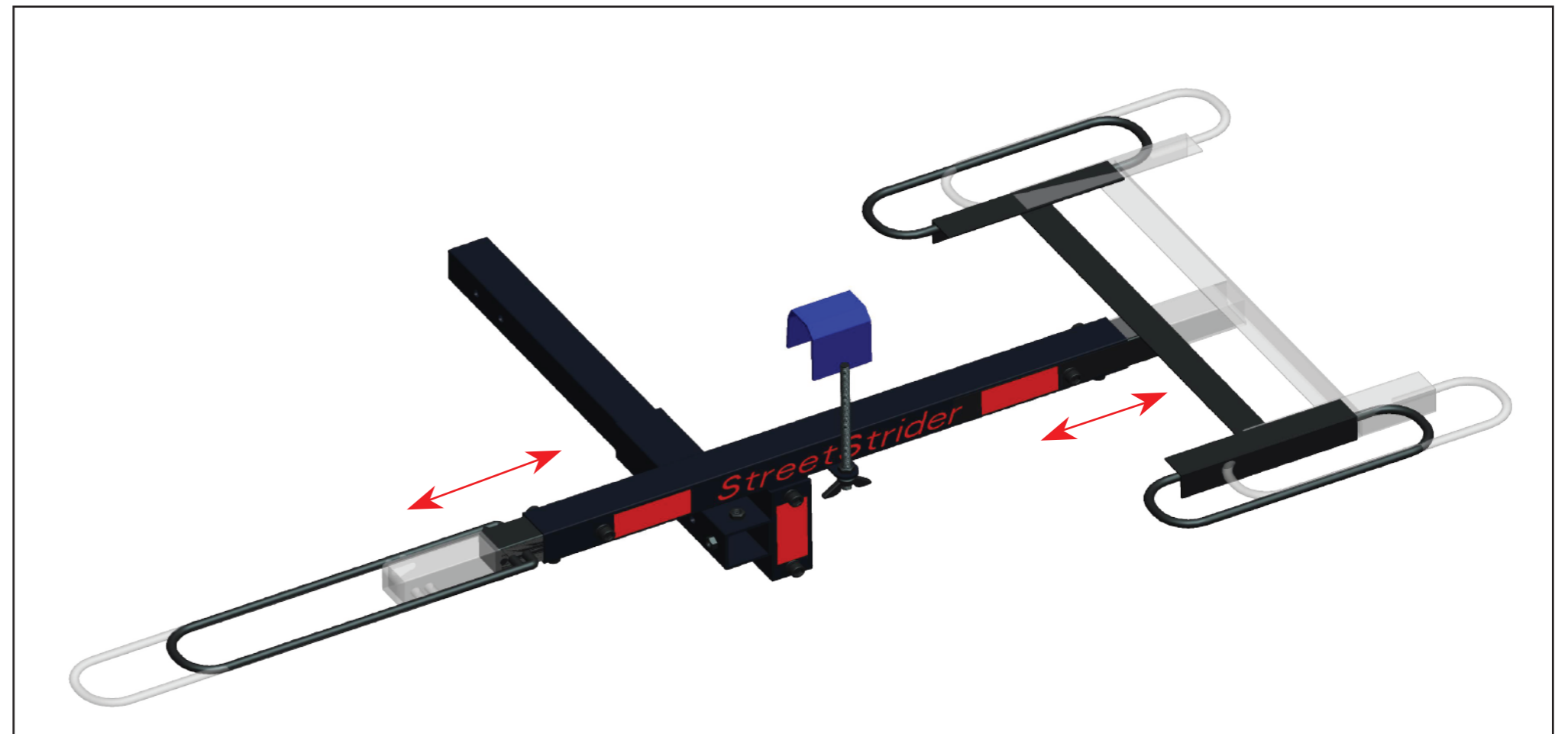


1. Screw nut onto bike holder.
2. Insert bike holder into T-frame.
3. Place split lock washer and flat washer onto bike holder.
4. Screw wingnut onto bike holder.





1. Roll-on hitch rack can be adjusted to fit your Street Strider bike. Just unscrew bolt ②.
2. Loosen bolt ③.
3. Adjust length to fit your Street Strider.





Using Roll –on hitch rack

1. Unscrew bolt ②.
2. Push front wheels holder to the ground.
3. Roll Street Strider bike back onto Roll-on hitch rack.
4. Secure bike holder onto Street Strider bike frame , then tighten wingnut.

